



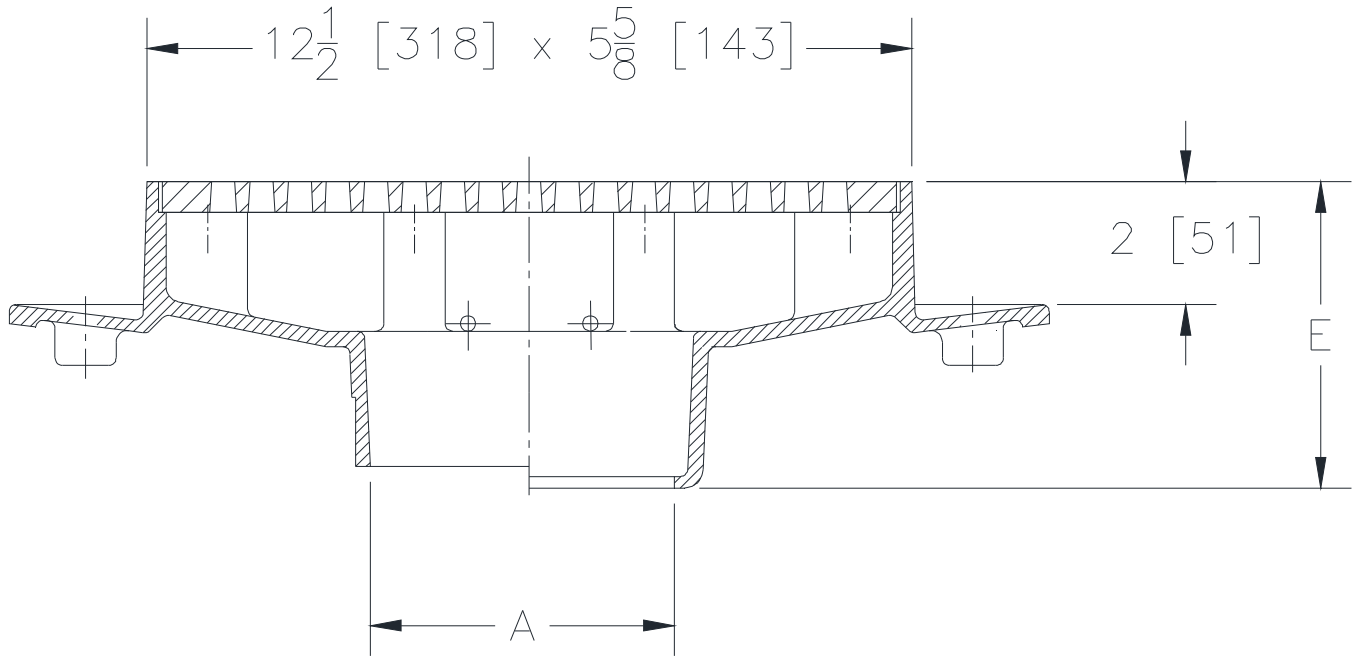
# Z575-80

6 X 12 [ 152 X 305 ] MEDIUM-DUTY GUTTER DRAIN W/  
SEEPAGE PAN, AND VANDAL PROOF GRATE WITH  
5/16" SQUARE OPENINGS

SPECIFICATION SHEET

TAG \_\_\_\_\_

Dimensional Data (inches and [ mm ]) are Subject to Manufacturing Tolerances and Change Without Notice



A - Pipe Size Inches [mm]	Approx. Wt. Lbs. [kg]	Grate Open Area Sq. In. [cm <sup>2</sup> ]
2, 3, 4 [51, 76, 102]	26 [12]	13 [330]

**ENGINEERING SPECIFICATION: ZURN Z575-80**  
6" x 12" [152mm x 305mm] Top gutter drain, Dura-Coated cast iron body with bottom outlet, seepage pan, and light-duty vandal-proof, carbon steel grate with 5/16" [8mm] square openings.

### OPTIONS (Check/specify appropriate options)

#### PIPE SIZE

- 2, 3, 4 [51, 76, 102]
- 2, 3, 4 [51, 76, 102]
- 2, 3, 4 [51, 76, 102]
- 2, 3, 4 [51, 76, 102]
- 2, 3, 4 [51, 76, 102]

#### (Specify size/type) OUTLET

- \_\_\_ IC Inside Caulk
- \_\_\_ IG Inside Gasket
- \_\_\_ IP Threaded
- \_\_\_ NH No-Hub (IP w/Z1040)
- \_\_\_ NL Neo-Loc

#### 'E' BODY HT. DIM.

- 5 [127]
- 5 [127]
- 3-5/8 [92]
- 
- 4-1/2 [114]

#### PREFIXES

- \_\_\_ Z D.C.C.I. Body and Top\*

#### SUFFIXES

- \_\_\_ -G Galvanized Cast Iron
- \_\_\_ -KC Seepage Pan With Clamp Collar
- \_\_\_ -TC Neo-Loc Test Cap Gasket  
(2, 3, 4 [51, 76, 102] NL Bottom Outlet Only)
- \_\_\_ -V Backwater Valve (See Z1099)

\* Regularly furnished unless otherwise specified.

Zurn Industries, LLC | Specification Drainage Operation  
1801 Pittsburgh Avenue, Erie, PA U.S.A. 16502 · Ph. 855-663-9876, Fax 814-454-7929  
In Canada | Zurn Industries Limited  
3544 Nashua Drive, Mississauga, Ontario L4V 1L2 · Ph. 905-405-8272, Fax 905-405-1292  
[www.zurn.com](http://www.zurn.com)

Rev. -  
Date: 04/01/15  
C.N. No. 132488  
Prod. | Dwg. No. Z575-80