



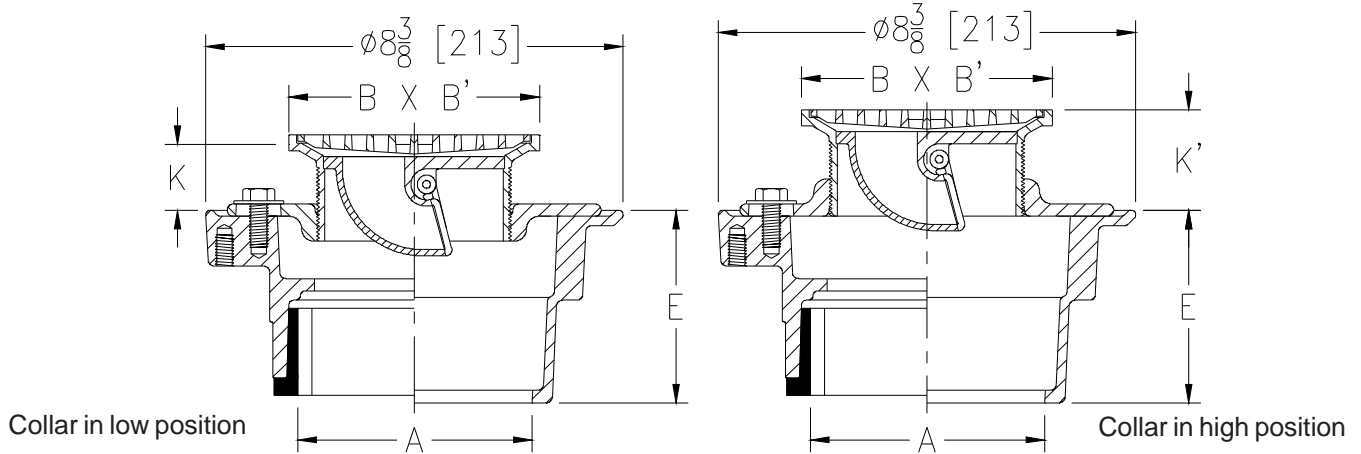
# Z415S-V

## BODY ASSEMBLY W/ "TYPE S" STRAINER AND BACKWATER VALVE

SPECIFICATION SHEET

TAG \_\_\_\_\_

Dimensional Data (inches and [ mm ]) are Subject to Manufacturing Tolerances and Change Without Notice



Dimensions in In [mm]						Approx. Wt. Lbs. [kg]	Strainer Open Area Sq. In. [cm <sup>2</sup> ]
A - Pipe Size	B x B' Strainer Top Size	K		K'			
		Min.	Max.	Min.	Max.		
2,3 [51,76]	5 x 5 [127 x 127]	1 [25]	1-19/32 [40]	1-1/4 [32]	2-3/8 [60]	12 [5]	9 [58]
2,3,4 [51,76,102]	6 x 6 [152 x 152]	1 [25]	1-27/32 [47]	1-13/32 [36]	2-19/32 [66]	13 [6]	13 [84]
2,3,4 [51,76,102]	7 x 7 [178 x 178]	1 [25]	1-7/8 [48]	1-3/8 [35]	2-5/8 [67]	14 [6]	21 [135]
3,4 [76,102]	8 x 8 [203 x 203]	1-3/32 [28]	1-7/8 [48]	1-3/4 [44]	2-5/8 [67]	15 [7]	28 [181]
6 [152]	10 x 10 [254 x 254]	1-3/32 [28]	1-7/8 [48]	1-3/4 [44]	2-5/8 [67]	21 [10]	28 [181]

### ENGINEERING SPECIFICATION: ZURNZN415S-V

Floor and shower drain, Dura-Coated cast iron body with bottom outlet, combination invertible membrane clamp and adjustable collar with seepage slots, backwater valve and "TYPE S" polished nickel bronze square heel-proof strainer.

### OPTIONS (Check/specify appropriate options)

#### PIPE SIZE

- 2,3,4 [51,76,102]
- 2,3,4 [51,76,102]
- 2 [51]
- 3 [76]
- 4 [102]
- 6 [152]
- 2,3,4 [51,76,102]
- 2,3,4 [51,76,102]

#### (Specify size/type) OUTLET

- \_\_\_\_\_ IC Inside Caulk
- \_\_\_\_\_ IG Inside Gasket
- \_\_\_\_\_ IP Threaded
- \_\_\_\_\_ IP Threaded
- \_\_\_\_\_ IP Threaded
- \_\_\_\_\_ IP Threaded
- \_\_\_\_\_ NH No-Hub
- \_\_\_\_\_ NL Neo-Loc

#### 'E' BODY HT. DIM.

- 4-3/16 [106]
- 4-3/16 [106]
- 2-7/16 [62]
- 2-3/4 [70]
- 2-13/16 [71]
- 2-7/8 [73]
- 3-13/16 [97]
- 3-7/8 [98]

#### PREFIXES

- \_\_\_\_\_ ZB D.C.C.I. Body Assembly w/ Polished Bronze Top
- \_\_\_\_\_ ZN D.C.C.I. Body Assembly w/ Polished Nickel Bronze Top\*

#### SUFFIXES

- \_\_\_\_\_ -AR Acid Resisting Epoxy Coated Cast Iron
- \_\_\_\_\_ -CP Chrome-Plated Top
- \_\_\_\_\_ -G Galvanized Cast Iron
- \_\_\_\_\_ -OF Oval Funnel (See Z329-7)  
(6,7,8,10 [152,178,203] Strainers only)
- \_\_\_\_\_ -P Trap Primer Connection (Specify 1/2 [13] or 3/4 [19])
- \_\_\_\_\_ -PC Protective Cover
- \_\_\_\_\_ -SA Stabilizer Assembly (See Z1035)
- \_\_\_\_\_ -SQ Stabilizer Q-deck (See Z1035-Q)
- \_\_\_\_\_ -TC Neo-Loc Test Cap Gasket  
(2,3,4 [51,76,102] NL Outlet Only)
- \_\_\_\_\_ -U 1-3 [25-76] High Extension Adapter
- \_\_\_\_\_ -VP Vandal-Proof Secured Top
- \_\_\_\_\_ -4 4 [102] Diameter Funnel
- \_\_\_\_\_ -90 90° Threaded Side Outlet Body Assembly (2,3 [51,76] Only)

\* Regularly furnished unless otherwise specified.