

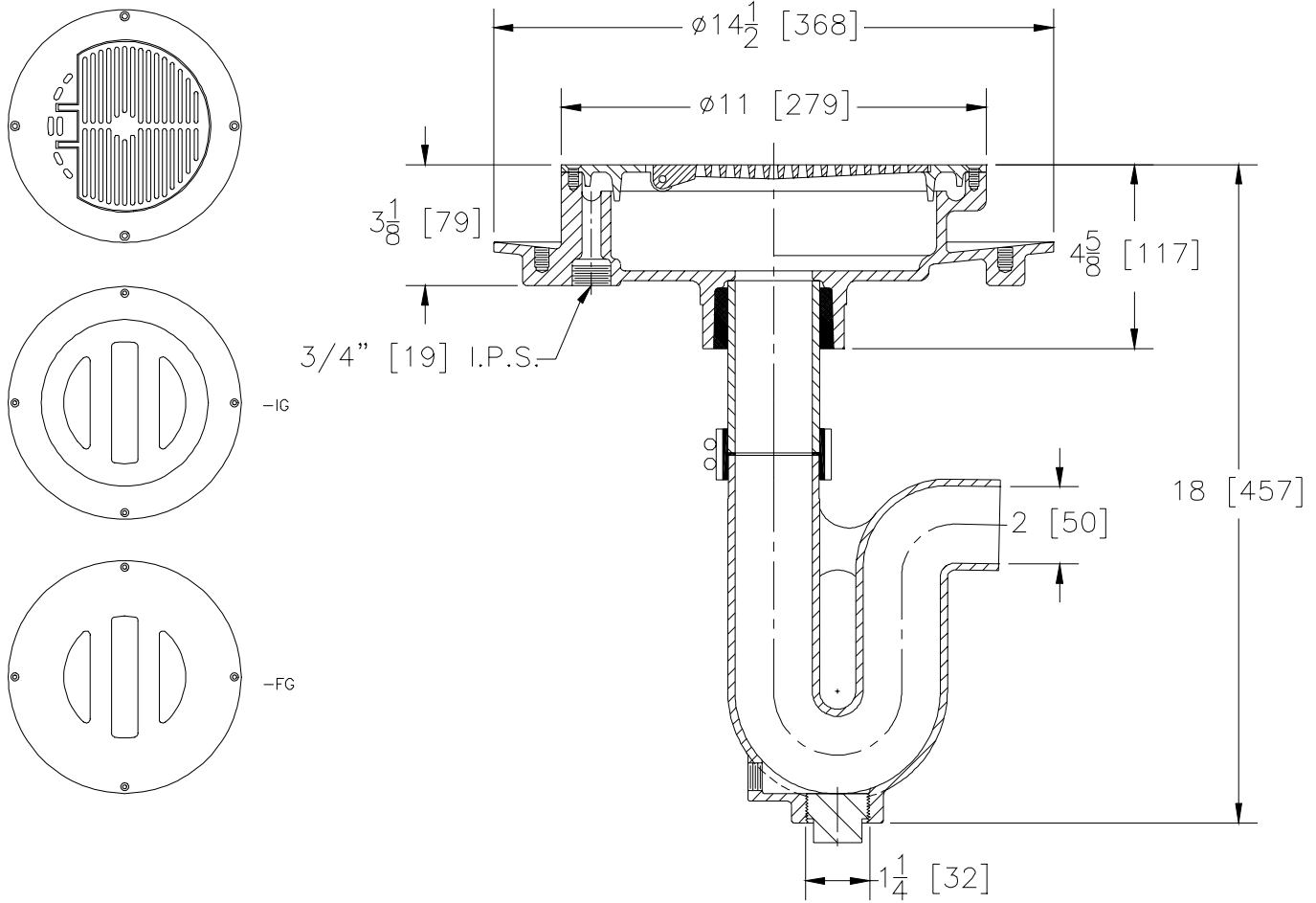


Z-310-79 THOROFLUSH DRAIN WITH DEEP SEAL TRAP

SPECIFICATION SHEET

TAG _____

Dimensional Data (inches and [mm]) are Subject to Manufacturing Tolerances and Change Without Notice



A-Pipe Size Inches	Approx. Wt. Lbs.	Grate Open Area Sq. In.
2 [50]	28 [13]	18 [116]

ENGINEERING SPECIFICATION: ZURN ZN-310-79 11" [279] Top ThoroFlush Drain, cast iron body with acid resistant epoxy coated exterior and interior, bottom outlet, seepage pan, nickel bronze flushing rim top and slotted hinged grate with deep seal trap.

OPTIONS (Check/specify appropriate options)

OUTLET

____ IP Threaded

PREFIXES

____ ZB- Cast Iron Body w/A.R.C. Interior and Exterior w/Polished Bronze Grate

____ ZN- Cast Iron Body w/A.R.C. Interior and Exterior w/Polished Nickel Bronze Grate*

SUFFIXES

- ____ -C Clamping Collar
- ____ -FG Free Set Grate (Previously Z-312)
- ____ -IG Integral Grate (Previously Z311)
- ____ -SG Solid Gasketed Grate
- ____ -SP Spark Proof Top
- ____ -ST Solid Top
- ____ -VP Vandal Proof Secured Top
- ____ -WB Water Control Box (See Z-1464)

*REGULARLY FURNISHED UNLESS OTHERWISE SPECIFIED

REV. _____	DATE: 12/15/92	C.N. NO. 68764
DWG. NO. P-13778	PRODUCT NO. Z-310-79	

ZURN INDUSTRIES, INC. ♦ SPECIFICATION DRAINAGE OPERATION ♦ 1801 Pittsburgh Ave. ♦ Erie, PA 16514

Phone: 814/455-0921 ♦ Fax: 814/454-7929 ♦ World Wide Web: www.zurn.com

In Canada: ZURN INDUSTRIES LIMITED ♦ 3544 Nashua Drive ♦ Mississauga, Ontario L4V1L2 ♦ Phone: 905/405-8272 Fax: 905/405-1292