

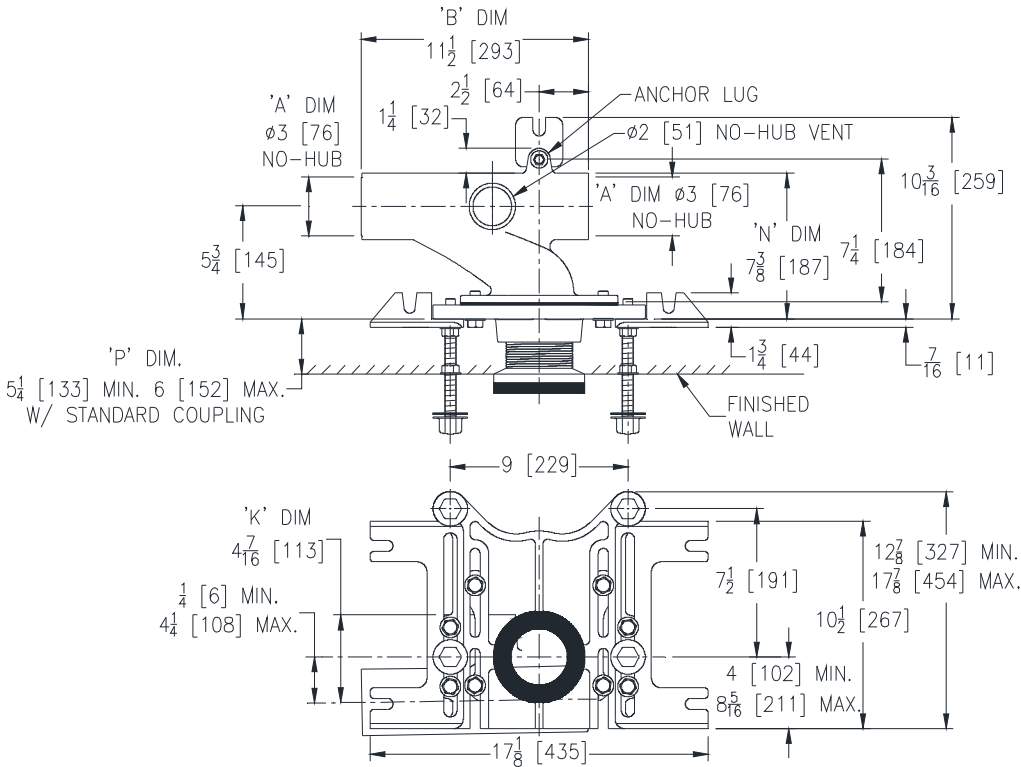


Z1201-N_3-94

EZCARRY™ ADJUSTABLE HORIZONTAL HIGH PERFORMANCE SIPHONJET NO-HUB WATER CLOSET CARRIER SYSTEM FOR LOW ROUGH-IN

TAG _____

Dimensional Data (inches and [mm]) are Subject to Manufacturing Tolerances and Change Without Notice



Product Number	Approx. Wt. lbs [kg]
Z1201-NL3-94	45 [20]
Z1201-NR3-94	

Note:

1. Z coupling, Min. 'P' Dim. Obtainable=2 [51]
ZQ coupling, Min. 'P' Dim. Obtainable=5 [127]
2. Feet bolted to floor using min. 1/2 [13] dia. anchors.
3. Rear anchor foot required for secure installation.

Z1201-NR3-94 Illustrated

ENGINEERING SPECIFICATION: ZURN Z1201-N_3-94

EZCarry™ horizontal siphon jet water closet carrier system with high performance waterway and 3" [76mm] no-hub connections. System includes Dura-Coated cast iron main fitting with hydro-mechanically optimized sweep and extended 2" [51mm] vent, adjustable gasketed modified faceplate, universal floor mounted pre-fab slotted foot supports, heavy-duty 1/2" [13mm] rear anchor tie down, fixture bolts, trim, stud protectors, bonded "Neo-Seal" gasket, and corrosion resistant, adjustable 3" [76mm] dia. X 6" [152mm] coupling with integral test cap designed to increase flow velocity and line carry. EZCarry system complies with the requirements of ASME A112.6.1M up to a 500 lbs [227 kg] static load rating.

OPTIONS (Check/specify appropriate options)

- ___ Z1201-NL3-94 3 [76] No-Hub Left Hand Inlet with Flow to Right
- ___ Z1201-NR3-94 3 [76] No-Hub Right Hand Inlet with Flow to Left

PREFIXES

- ___ Z D.C.C.I. System with Zurn ZZ Adjustable Coupling*
- ___ ZQ D.C.C.I. System with NPT Faceplate, Non-Adjustable Coupling

SUFFIXES

- | | |
|---|--|
| ___ -A Auxiliary Support Assembly
(For 'P' Dim. Greater than 18 [457]) | ___ -CV Closed Vent (Use only when local codes allow). |
| ___ -CC Corrosion Resistant Cast Iron Coupling
(2-1/4 [57] to 12 [305]) | ___ -F Floor Mounted, Back Outlet Fixture Support |
| ___ -CE EZ-Set™ Coupling (Available 6 [152], 12 [305] or longer when specified. Minimum length=5 [127]) | ___ -G Galvanized Cast Iron |
| ___ -CL Custom Length Standard Coupling with Integral Test Cap
(Specify Length 4, 8, 10, 12 [102, 203, 254, 305]) | ___ -M Auxiliary Foot Support
(for 'P' Dim. 10 thru 18 [254 thru 457]) |
| ___ -CS 2-1/4 [57] Polymer Coupling with Integral Test Cap | ___ -RYK Unistrut Pre-Fab Foot Support |
| | ___ -RYK17 One Piece Unistrut Pre-Fab Foot |
| | ___ -VP Vandal-Proof Trim |
| | ___ -45 Finishing Frame for Siphon Jet System |
| | ___ -50 Flush Valve Supply Support for Water Closets |

* Regularly furnished unless otherwise specified.